



# VD04/06 DT04/06 EB200

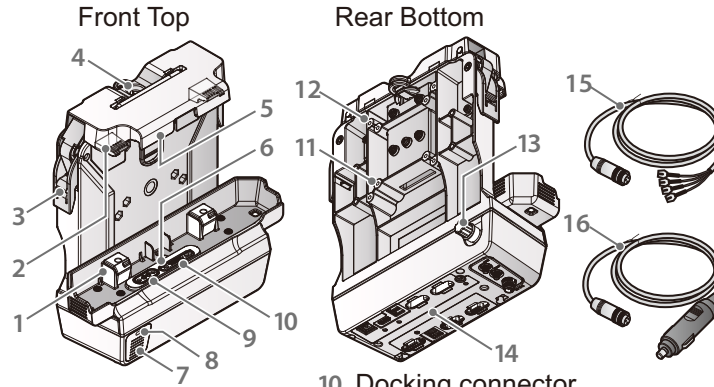
## Quick Start Guide



2018 RuggON Corporation. All rights reserved.

### VD04/06

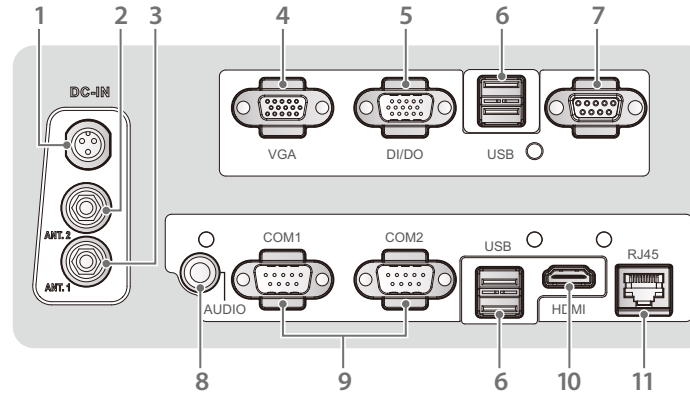
### Overview



- 1 Bumper
- 2 Alignment tab
- 3 Locking latch
- 4 Key lock slot
- 5 Latch tab
- 6 Locator pin
- 7 Speaker
- 8 Connection LED
- 9 RF Pass-Through Connector
- 10 Docking connector
- 11 Mounting holes (VESA 75 x 75mm) x 4
- 12 Mounting holes (VESA 100 x 100mm) x 4
- 13 Fuse
- 14 I/O ports
- 15 ACC power kit (provided by ACC SKU)
- 16 Cigarette lighter kit (provided by Cigarette SKU)

### VD04/06

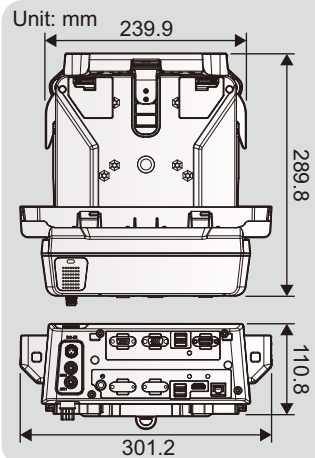
### I/O Ports



- 1 DC-in jack
- 2 SMA Antenna II (WIFI or WWAN, assigned by RuggON DashON Utility)
- 3 SMA Antenna I (WIFI or GPS, assigned by RuggON DashON Utility)
- 4 VGA port
- 5 Digital I/O (4 x DI, 4 x DO)
- 6 USB Type-A x 4
- 7 CANbus (not standard option; by request)
- 8 Headset port 1.5mm
- 9 COM port x 2
- 10 HDMI port
- 11 RJ45 port

### VD04/06

### Specification



	Wall Mount	Simple SKU	Full SKU
USB 2.0	X	VD04-S: 2	VD04-F: 4 VD06-F: 2
USB 3.0	X	VD06-S: 2	VD06-F: 2
RS-232	X	X	1
RJ45	X	X	1
VGA	X	X	1
HDMI	X	X	1
Audio	X	X	1
Speaker	X	X	1
SMA antenna	X	2	2
DI/DO	X	X	4xDI; 4xDO
DC-in	X	1	1

Output Power 19V @ 1.57A Max., total output 30W

Input Power 9VDC to 32VDC

LED x 1 (Blue)

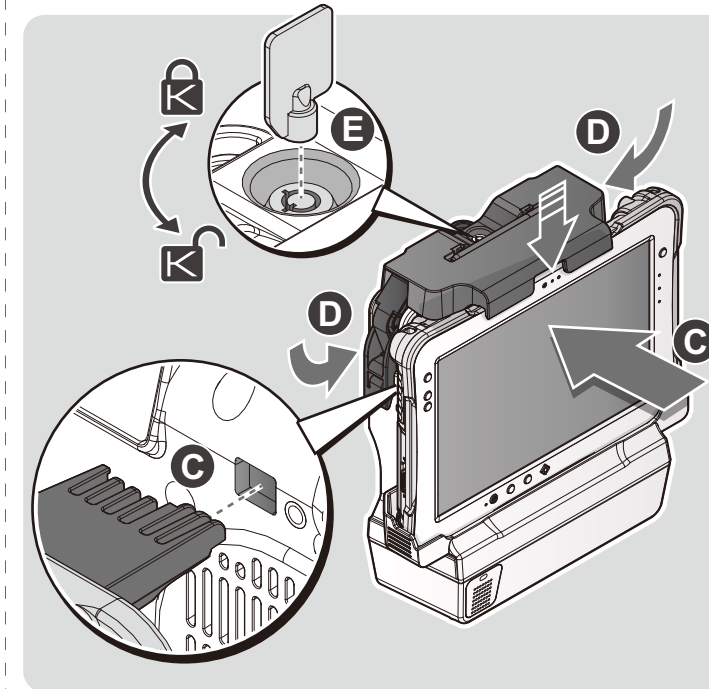
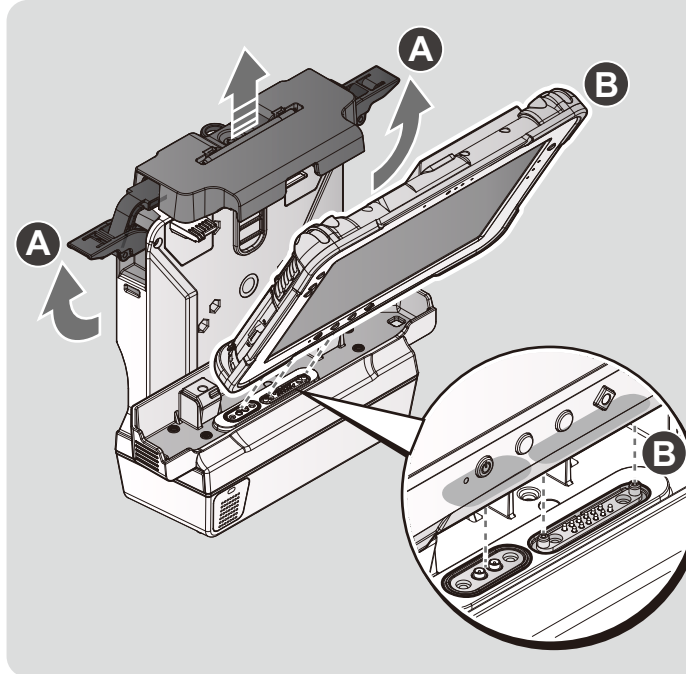
IP Rating IP54

Operating Temperature Range -20°C (-4°F) to 50°C (122°F)

Storage Temperature Range -30°C (-22°F) to 80°C (176°F)

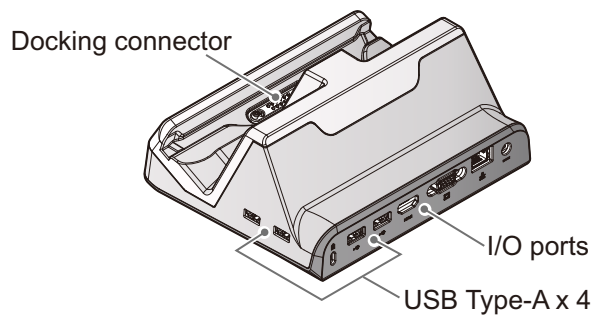
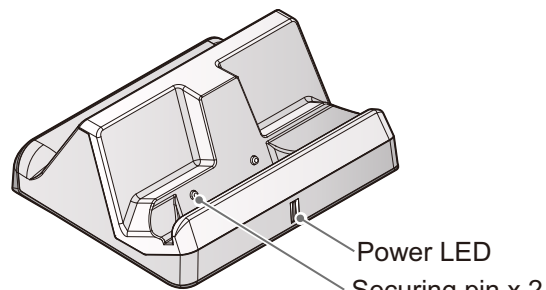
### VD04/06

### Installation



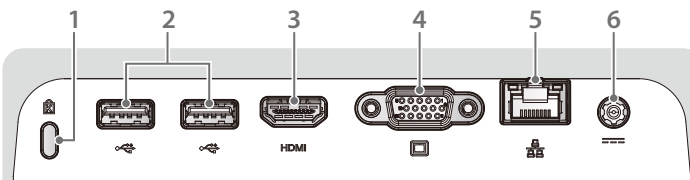
# DT04/06

## Overview



# DT04/06

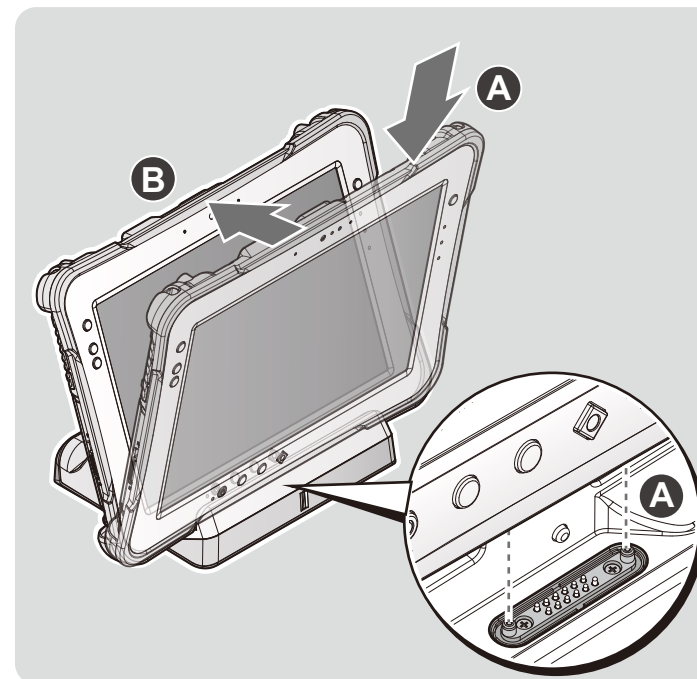
## I/O Ports



I/O	DT04-S	DT04-F	DT06-F
1 Kensington® Lock	1	1	1
2 USB 2.0	4	4	2
3 USB 3.0	X	X	2
4 HDMI port	X	1	1
5 VGA port	X	1	1
6 RJ45 port	X	1	1
7 DC-in Jack	1	1	1

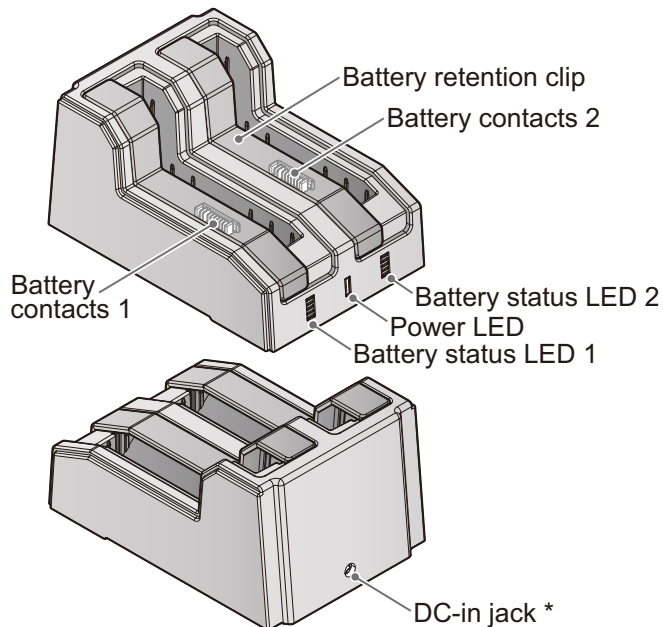
# DT04/06

## Charging



# EB200

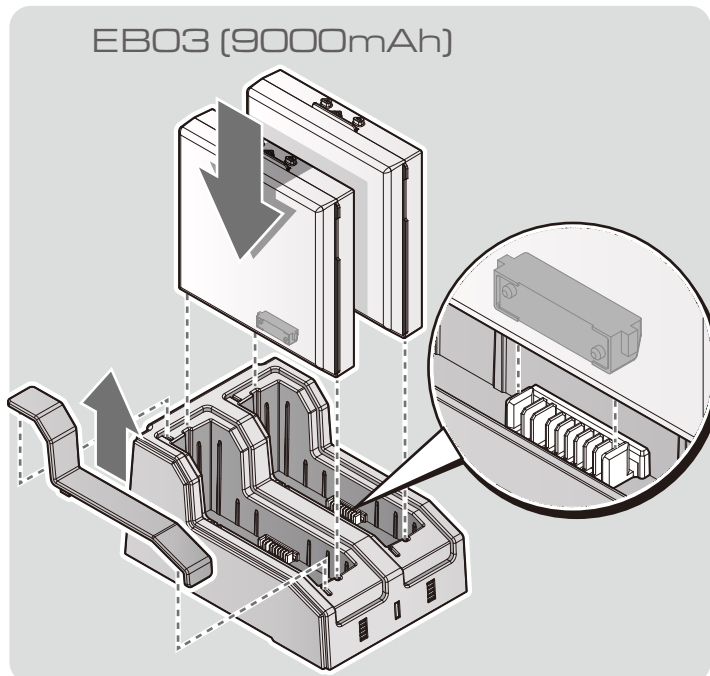
## Overview



\* The EB200 only supports the following AC adapter: RuggON Rextorm series, 19VDC (3.43A).

# EB200

## EB03 (9000mAh)



## Charging

