

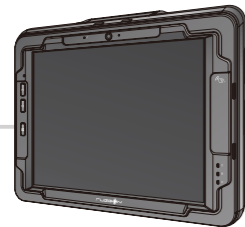
PM-522

Quick Installation Guide

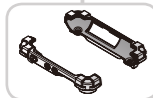


©2014 RuggON Corporation. All rights reserved.

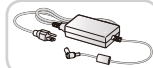
Accessory



PM-522



Rubber Bumpers



Power Adapter



2-Point Shoulder Strap*



4-Point Handstrap*



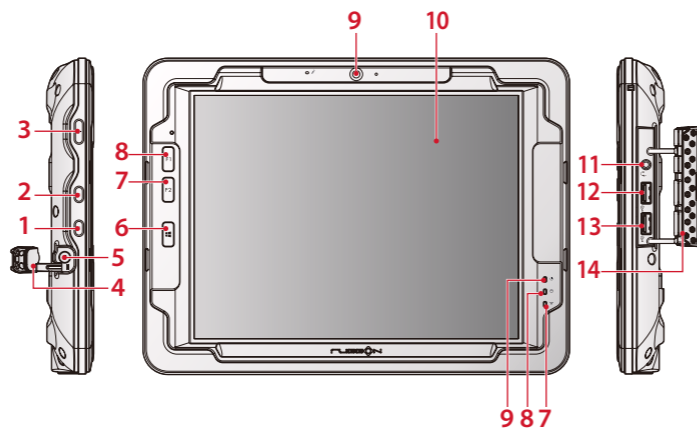
Stylus



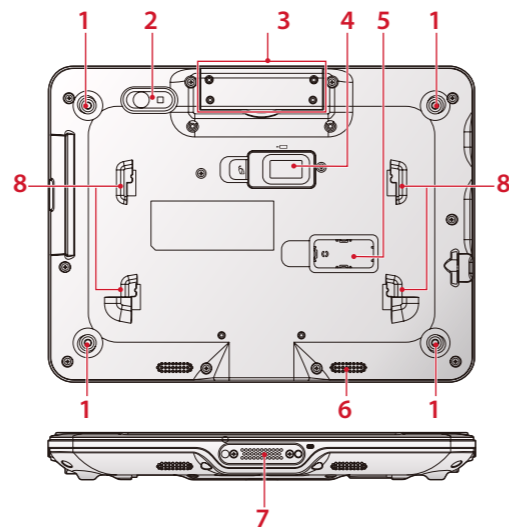
Hitch D-rings (Attaching straps)*

* Optional

Overview



- | | |
|------------------|--------------------------|
| 1 RF setting key | 9 Front camera |
| 2 Lock key | 10 Touch screen |
| 3 Power key | 11 Audio jack |
| 4 DC-IN cover | 12 USB 3.0 |
| 5 DC-IN jack | 13 USB 2.0 |
| 6 Home key | 14 I/O compartment cover |
| 7 F2 key | |
| 8 F1 key | |

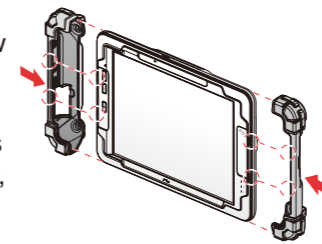


- | | |
|------------------------------------|---------------------------------------|
| 1 Securing holes | 5 Battery connector cover placeholder |
| 2 Rear camera | 6 Speakers |
| 3 Add-on cover | 7 Docking connector |
| 4 External battery connector cover | 8 External battery bracket slots |

Bumper

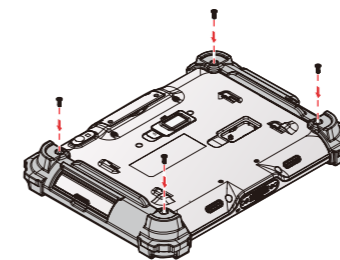
Caution: Warranty is void if rubber bumpers are not properly installed.

- Align the screw holes on the bumpers with the screw holes on the PM-522.
- Install the bumpers to the PM-522. If the display's protective film is in the way, lift it up slightly to allow for proper installation.



Note: The left bumper fits over three keys (left side panel) and the DC-IN compartment and the right bumper fits over the I/O port compartment.

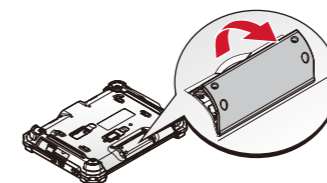
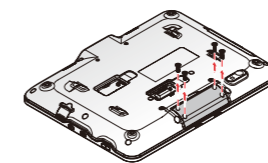
- Secure the bumpers and the PM-522 with screws.



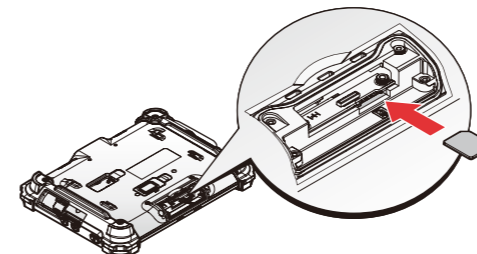
Note: Once the rubber bumpers are installed, it is recommended to not remove them.

SIM Card

- Remove the screws securing the add-on compartment cover.
- Flip the add-on compartment cover over to remove it.



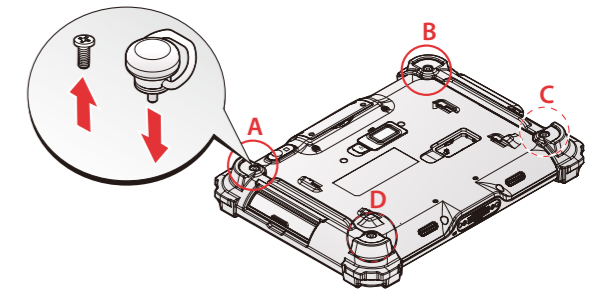
- Take the micro SIM card from its packaging.
- The micro SIM card has a corner missing. Align the SIM card with the slot making sure that the corners match.



- Insert the micro SIM card and press it in until an audible click sounds.

Strap (optional)

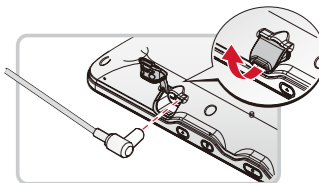
- Install the D-rings.
- Attach the clips to the D-rings to attach the handstrap or shoulder strap.



Note: Connect handstrap to D-rings A, B, C and D; shoulder strap to D-rings C and D.

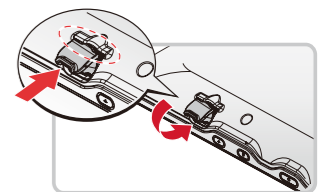
Charging

- Flip open the DC-IN cover to expose the DC-IN jack.
- Connect the AC adapter to the DC-IN port.



After charging the battery, disconnect the AC adapter and close the DC-IN cover.

- Align the plastic tab on the DC-IN cover with the compartment.
- Insert one end of the cover first and angle the cover to seat it in place.
- Push in the cover to seal the DC-IN compartment.



Power On

- Flip up the external battery connector cover and lift it up.
- Switch the DIP switch to the ON position.
- Install the external battery cover over the battery connector.
- Press and hold the power button until the screen lights. The device runs through the start up sequence and powers up.

